

CABRA™

THE FIRST HYBRID-ELECTRIC HUNTING UTV.

REDEFINING THE HUNTING AND OUTDOORS EXPERIENCE.

At Ultimate Top Drives, we custom engineer all of our vehicles to perform at the highest level in any off-road or hunting context, always looking to move the industry forward through new and innovative features like the patented articulating cab found on our flagship UTV, The Cabra. Combining ruggedness, comfort and utility, the world's first clean-sheet design top-drive hunting vehicle boasts a unique hybrid-electric drivetrain for an unparalleled hunting and outdoors experience.



ULTIMATE TOP DRIVES



FOLDING WINDSHIELD

POWERFUL LIGHTING SOURCES

BELOW CAB CAMERA

SAFETY CONTROL QUAIL PLATFORM GATES

QUAIL GUARD PLATFORM

5,500 LB RECOVERY WINCH

HYBRID-ELECTRIC FULL-TIME 4WD

2X HIGH TORQUE ELECTRIC MOTORS

OFFROAD ALL-TERRAIN WHEELS & TIRES HEAVY-DUTY SUSPENSION

(OPTIONAL EQUIPMENT SHOWN)

DASHBOARD SHOOTING RAIL & SIDE SHOOTING SUPPORTS

ARTICULATING PASSENGER CAB

INFORMATION DISPLAY & MANAGEMENT SYSTEM

SAFETY CONTROL CAB DOORS

GAME HOIST WINCH

DUAL GAME FEEDERS

REVERSE CAMERA

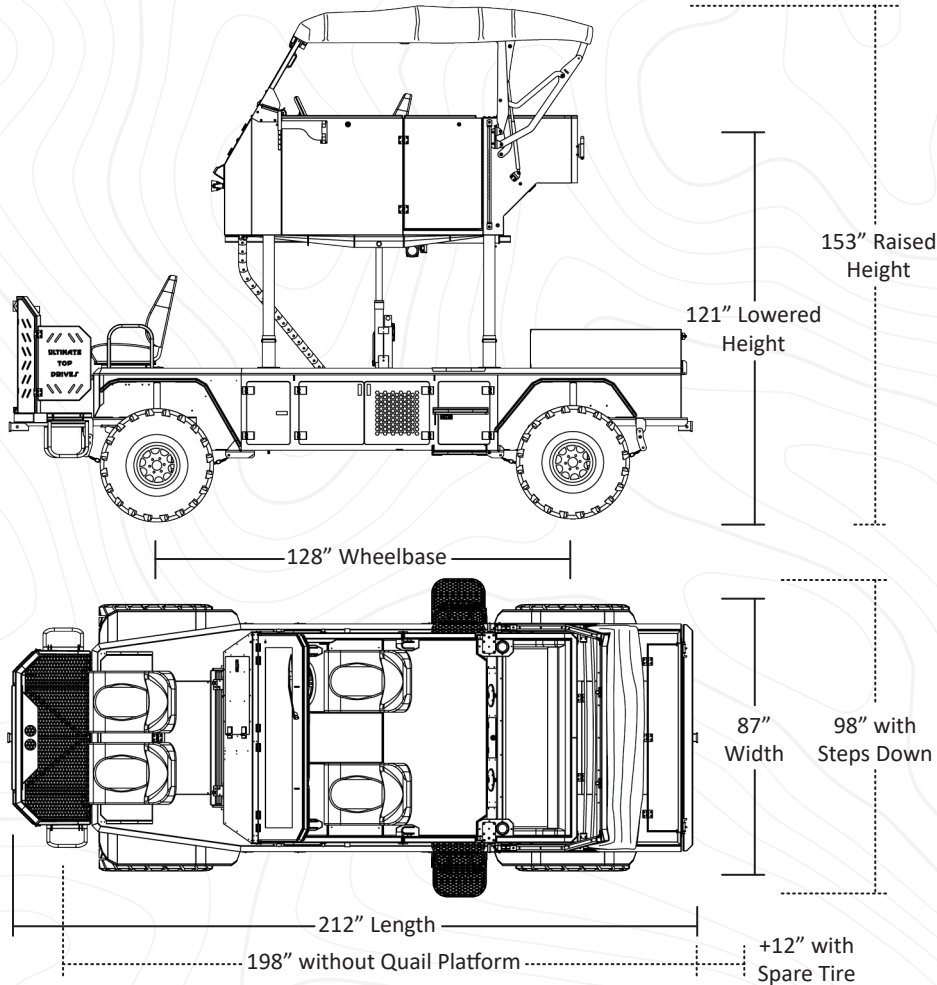
REGENERATIVE BRAKING SYSTEM

DOG BOXES, COOLER STORAGE, GUN SCABBARDS, WATER / AIR SYSTEMS



RESERVE NOW





CAPACITIES †

Total Vehicle Load: 1700 lbs.
(Passengers, gear, harvested game, etc.)

Passenger Cab: 5 people or 1000 lbs.

Quail Seats / Platform (if Equipped):
2 people or 500 lbs.

Game Hoist Winch: 500 lbs.

Road Feeders: 100 lbs. each compartment

Generator: 14 gallon fuel capacity

Gun Racks:

4 in cab, 2 on quail platform (if equipped)

OTHER SPECS †

Pure Electric Range: 40 miles*

Hybrid Mode Range: 160 miles*

Vehicle Top Speed: 40 MPH; 13 MPH
with cab in a raised position

Battery System: Lithium-Iron Phosphate

DIMENSIONS †

Vehicle Weight: 5500 lbs.

Wheelbase: 128"

Length without Quail Platform: 198"

Length with Quail Platform: 212"
(+12" with spare tire and mount)

Width: 87"; 98" with steps down

Cab Lowered Height: 121"

Cab Raised Height: 153"

(-21" with windshield and conv. top down)

Cab Vertical Lift: 32"

Ground Clearance: 17.5" (11.5" under axles)

Water Forging: 22"

KEY FEATURES †

Hybrid-Electric Powertrain (40 mi. Pure Electric Range*)

Onboard Range Extender Generator (Additional 120 mi. Range*)

Integrated Plug-In Charger

Patented Articulating Passenger Cab (Drive with Cab in Any Position)

Full-Time Electric 4WD with Dual High Torque Motors and Controllers

Front and Rear Off-Road Leaf Spring Suspension

Solid Axles with Helical Gearboxes

35" Mud Terrain Tires

Seating for 5 People in Cab / 2 People on Quail Platform

Touchscreen Information Display

Multiple Gun Racks and Cup Holders

Road Feeder System

SAFETY FEATURES †

Below Cab & Reverse Cameras

Speed Governed when Cab in a Raised Position

Quail Platform Gates & Cab Doors Safety System

Regenerative and Mechanical Disc Braking Systems

©2024 Ultimate Top Drives

† Some features optional. Details and specifications are subject to change without notice. All figures are nominal.

* Projected specifications. Range is affected by terrain and driving habits.

ULTIMATE TOP DRIVES.COM
RESERVE NOW: 512-409-9950

Made in
Texas

